

# EQUI-TREK

# EQUI-TREK



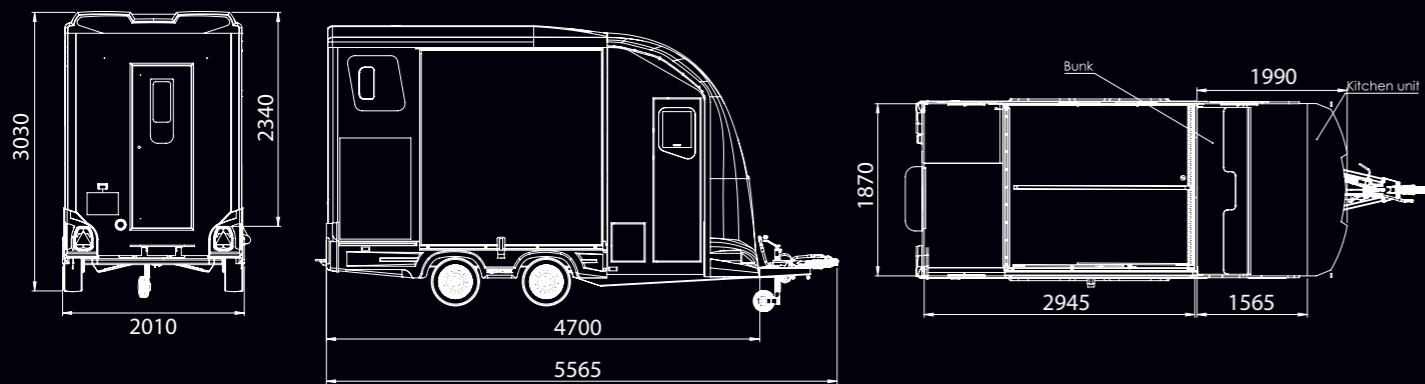
## Weights and Dimensions

### External Dimensions:

Length: 5565mm  
 Width: 2010mm  
 Height: 3030mm

### Approx. Weight:

Unladen Weight: 1195kg\* 1195kg\* 1195kg\*  
 Axle 1: 1500kg 1500kg 1500kg  
 Axle 2: 1500kg 1500kg 1500kg  
 Gross Weight: 2000kg 2500kg 3000kg



Please note some images may show optional extras not included as part of the base specification.  
 \*Plan view shows internal dimensions



## Night-Treka



0114 288 4411 • sales@equi-trek.com • www.equi-trek.com

0114 288 4411 • sales@equi-trek.com • www.equi-trek.com

# Equi-Trek Night-Treka

The Night-Treka is a rear facing, spacious two horse trailer with a large tack locker which is totally separate from the horse area. It is fitted with two saddle and bridle racks and two coat hooks. The Night-Treka living area is complete with a bench seat which converts into two sleeping bunks, wardrobe, stainless-steel sink with gas hob and a water carrier, along with a fold down table to eat meals at.

The wood free structure and composite panels make the Night-Treka light-weight but still strong and robust. It provides 7ft 9inch headroom with fully enclosed travel and a low, wide ramp, making this the number one choice for the discerning owner.



Standard gross weight is 2,000kg. It is also available in a 2,500kg and 3,000kg gross weight chassis upgrade to give a class leading payload.



## Horse Area

- Self Contained Horse Area
- Adjustable Partition with PVC Skirt to Floor
- Composite High Impact Kick Boards
- Composite Panels
- Full Width Collapsible Breast Bar
- Groom's Door with Window
- Head Divider
- Two Horse and Haynet Tie Rings
- Light and Spacious Interior
- One Interior Light
- Slip Resistant Rubber Ramp
- Strong Aluminium Plank Floor
- Two Saddle Racks and Two Bridle Racks
- White Easy Clean Safety Loading Doors
- Tack Locker
- Four Opening Windows



## Main Body

- Aerodynamic Fibreglass Mould
- Galvanised Steel Chassis
- Lockable Coupling
- Independent Suspension
- Four Fully Braked Wheels
- Built in ISO9001 Factory
- Two External Tie Rings
- Step for Easy Access through to Groom's Door
- Side Loading for improved Safety
- Colour White as Standard, Other Colours Available at Extra Cost



## Living Area

- Easy Clean Cushion Flooring
- Fitted Curtains
- Fold Down Table
- Kitchen Unit
- Stainless Steel Sink with Gas Hob and Water Carrier
- Living Area Door
- Living Door Window
- One Interior Light
- Wardrobes, Shelves and Gas Bottle Locker
- Seating Converts to Bunks

